

## Short description



- Aluminium-alloy IP65 single point load cell.
- Colourless anodized
- Suitable for single and double load cell structured platform scales.
- Maximum platform size:  
for 50kg-200kg: 600 x 600 mm  
for 250kg-635kg: 600 x 800 mm

 test certificate no. D09-06.12 Revision 0  
C of C no R60/2000-CN1-06.03

 Certificate no. 12-006

## Available models

Capacity	Accuracy	Full article description
50kg	C3	L6W-C3-50kg-3G6
75kg	C3	L6W-C3-75kg-3G6
100kg	C3	L6W-C3-100kg-3G6
150kg	C3	L6W-C3-150kg-3G6
200kg	C3	L6W-C3-200kg-3G6
250kg	C3	L6W-C3-250kg-3G6
300kg	C3	L6W-C3-300kg-3G6
500kg	C3	L6W-C3-500kg-3G6
635kg	C3	L6W-C3-635kg-3G6

Specifications and dimensions are subject to change without notice and do not constitute any liability whatsoever.

# Type L6W Load Cell

## Detailed specifications L6W

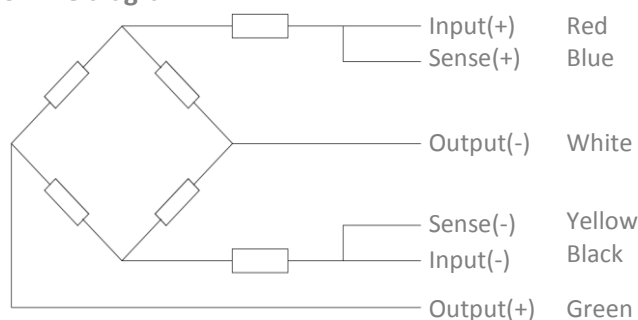
Accuracy class		OIML R60 C3	
Output sensitivity ( = FS )	mV/V	2.0 ± 0.2	
Maximum capacity ( E <sub>max</sub> )	kg	50, 75, 100, 150, 200, 250, 300	500, 635
Max.number of load cell intervals	n <sub>LC</sub>	3000	
Ratio of min. LC verification interval	Y = E <sub>max</sub> / v <sub>min</sub>	7000	10000
Combined Error	%FS	≤± 0.0230	
Minimum dead load	Of E <sub>max</sub>	0%	
Safe overload	of E <sub>max</sub>	150 %	
Ultimate overload	of E <sub>max</sub>	300 %	
Zero balance	of FS	< ± 1.0 %	
Excitation, recommended voltage	V	5 ~ 12	
Excitation maximum	V	18	
Input resistance	Ω	406 ± 6	
Output resistance	Ω	350 ± 3	
Insulation resistance	MΩ	≥5000 ( at 50VDC )	
Compensated temperature	°C	-10 ~ +40	
Operating temperature	°C	-35 ~ +65	
Storage temperature	°C	-40 ~ +70	
Element material		Aluminium	
Ingress Protection (acc. to EN 60529)		IP65	
Recommended torque on fixation	Nm	M8: 25	

## Wiring

### Wiring:

Shielded, 6 conductor cable.  
 Cable diameter: Ø4.7mm.  
 Standard cable length: 3m.  
 Shield connected to element.  
 Cable jacket in PU.

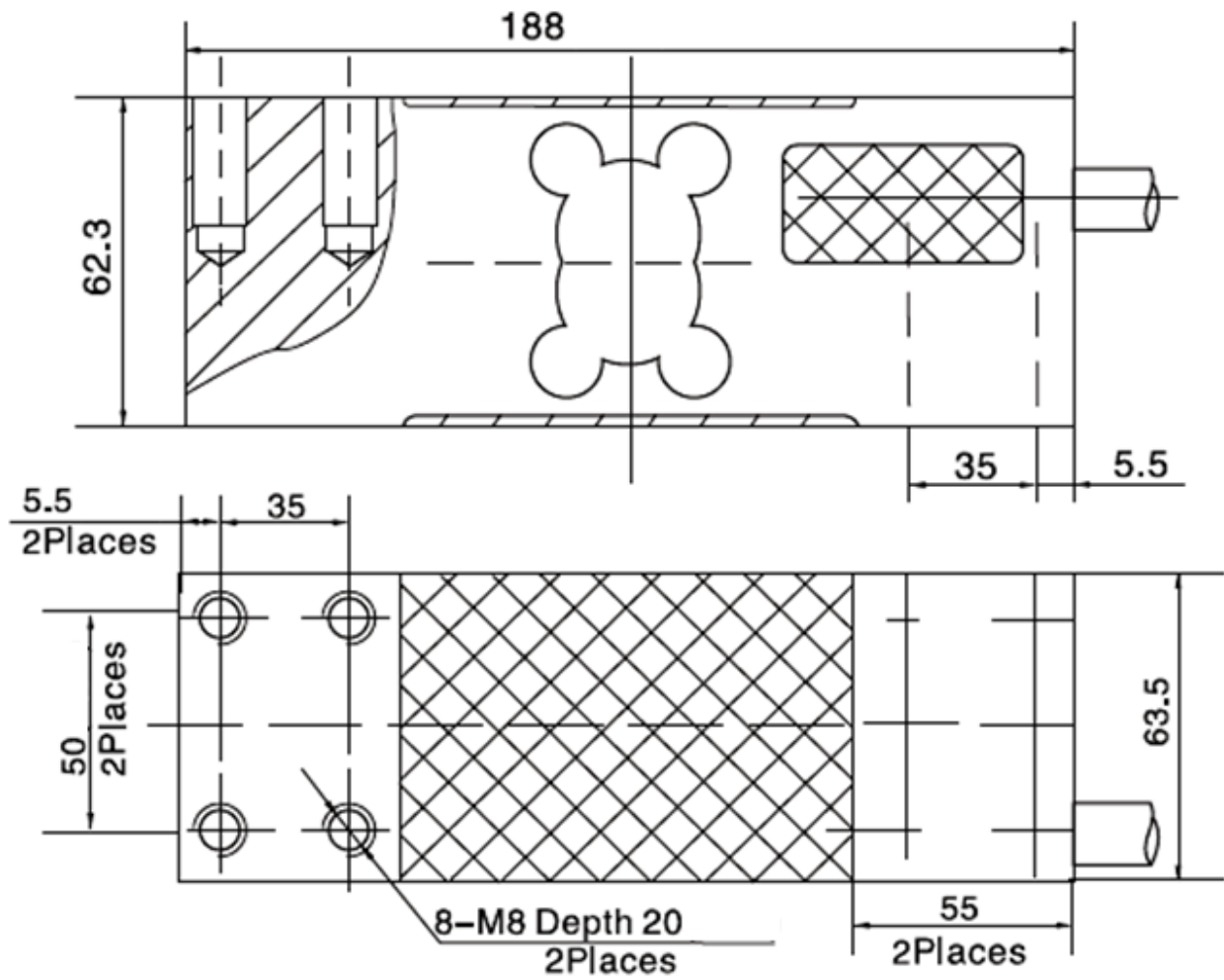
### 6-wire diagram



Specifications and dimensions are subject to change without notice and do not constitute any liability whatsoever.

# Type L6W Load Cell

Dimensions in mm



Specifications and dimensions are subject to change without notice and do not constitute any liability whatsoever.